



DISPLAYS2GO
CONNECTING PEOPLE & BRANDS WITH THE WORLD



SKU: FDOMFRT




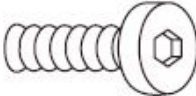
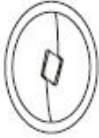
CIRCULAR OUTDOOR TABLE

Assembly Instructions

PARTS LIST

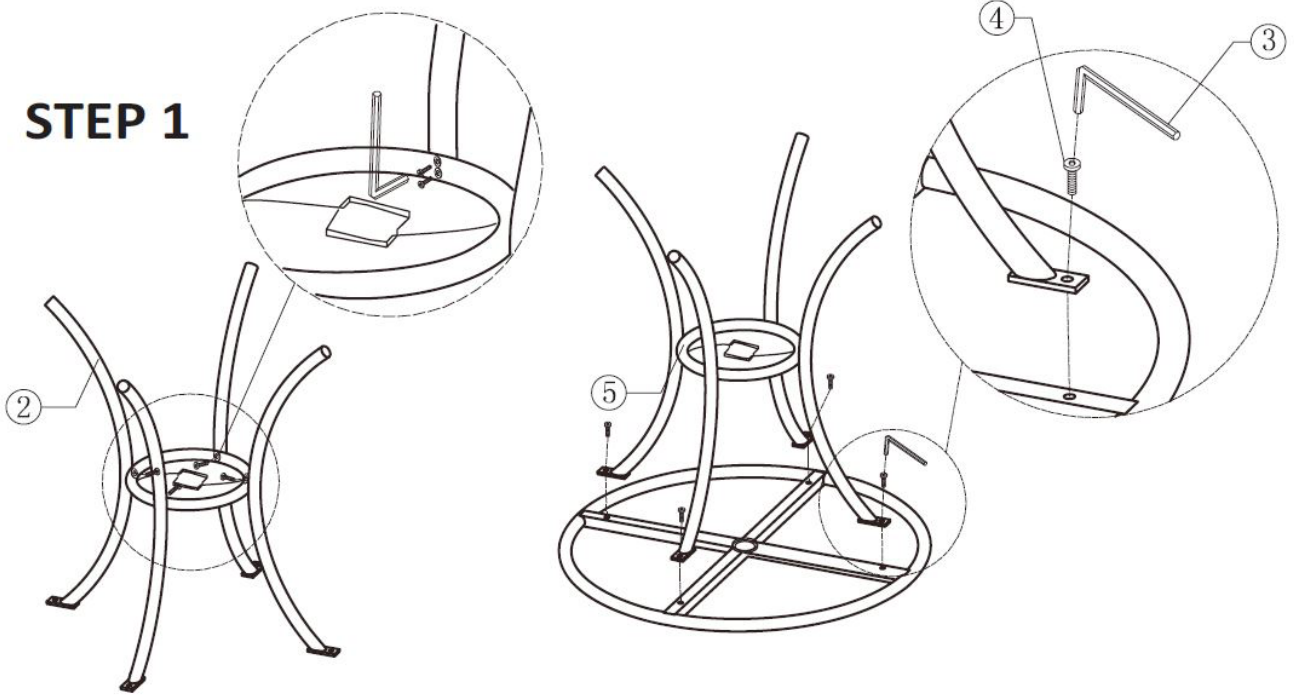


Scan QR code
to visit product
page

Description	Appearance	Quantity
1		1
2		4
3		1
4		12
5		1

If you have any questions regarding our products, please visit us at www.displays2go.com or contact D2G customer service at 844-221-3388.

STEP 1



STEP 2



1. Attach center frame piece (5) to the legs of the table with screws (4). Then, attach the base to the bottom of the tabletop (1), using screws (4).

2. Flip the table over.



Enjoy your new circular outdoor table!

CONTACT INFORMATION:
WEB: www.displays2go.com
PHONE: 844-221-3388.